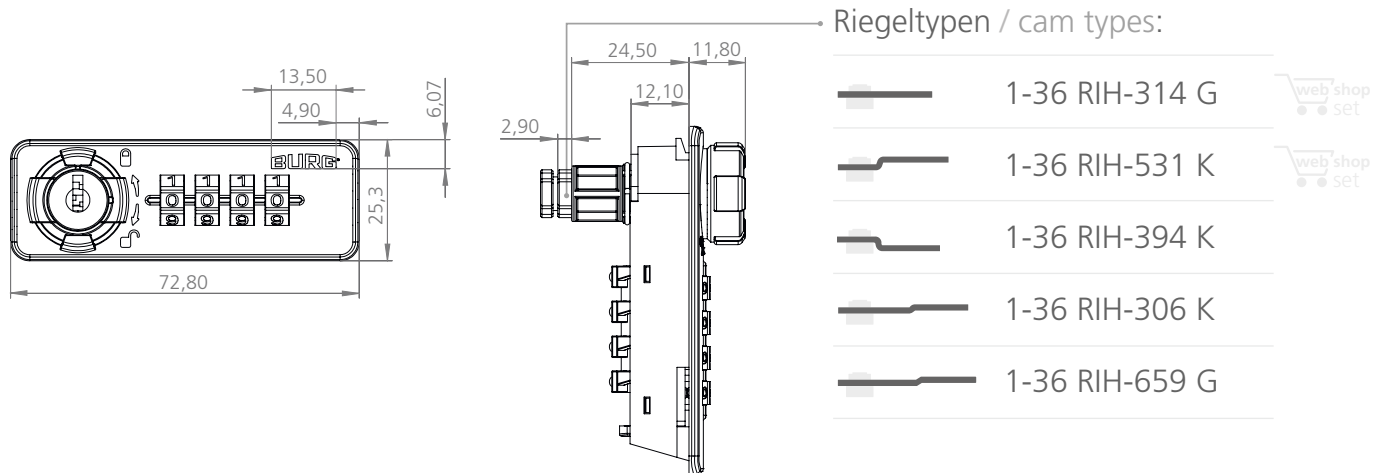


Zahlencodeschloss / Combination lock



sPinLock 510

Frontstärke front thickness	Stahl 0,4 - 4 mm steel 0,4 - 4 mm	Holz 2 - 19 mm wood 2 - 19 mm
--------------------------------	--------------------------------------	----------------------------------

Einbaulochung mounting hole	68 x 23 mm
--------------------------------	------------

Material material	Kunststoff, Zamak plastic, zamac
----------------------	-------------------------------------

Anzahl möglicher Zahlenkombinationen possible number combinations	9.999
--	-------

Schließrichtung locking movement	90° (rechts) 90° (right)	
-------------------------------------	-----------------------------	--

Hauptschlüssel master key	W-SLM-03
------------------------------	----------